

Customer Name:

Tel Mobile:

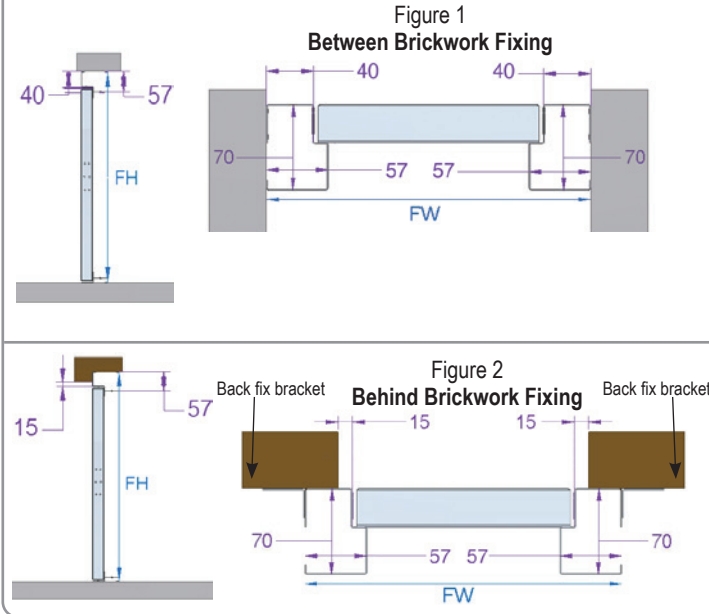
P.O. / Order Ref:

Email:

Tel Office:

Address:

Dimensions



Sizing Notes

IMPORTANT: NO FITTING CLEARANCE IS INCLUDED IN SIZES

Fixing between brickwork:
Recommended ordering size is the minimum structural opening width minus 10mm and height minus 10mm.

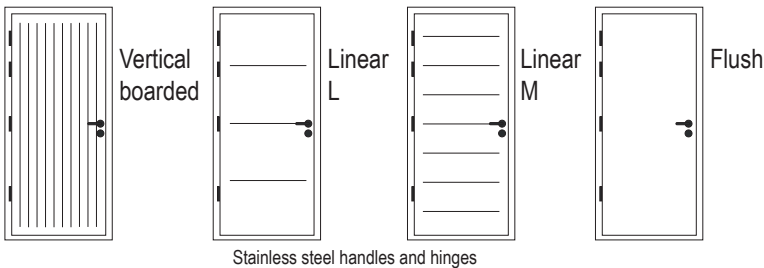
Fixing behind brickwork: 15mm must be allowed at the sides and head for outward opening doors. See figure 2.

Terminology & Clearances

- FW** Overall frame width
- CW** Clear passage width = FW - 114mm (door stop to door leaf)
Excludes projecting ironmongery +70mm
- FH** Overall frame height
- CH** Clear passage height = FH - 72mm
For standard open out 15mm low profile threshold
- CH** Clear passage height = FH - 80mm
For standard inward opening threshold
- CH** Clear passage height = FH - 87mm
For optional 30mm open out threshold (must be specified if required)

Ordering Information

Style



Size (refer to notes top right)

Overall frame width (FW)

Overall frame height (FH)

Colour

- | | |
|------------|----------------|
| White | Goosewing Grey |
| Black | Vandyke Brown |
| Anthracite | Golden Oak |

Quantity

Mounting

- Between brickwork
- Behind brickwork*
- Back fixing kit

*A back fixing kit will be required.

Opening*

- Standard open out 15mm low profile threshold
- Standard inward opening threshold
- Optional 30mm open out threshold

*When viewed from outside the garage

Hinge Side*

- L R

*When viewed from outside the garage

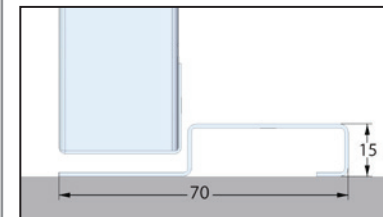
Options

- Thumb Turn
- Door Closer
- ERA™ anti-bump cylinder

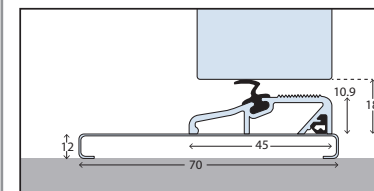
Windows

- Vertical rectangle 250mm x 1200mm
- Square 500mm x 500mm
- Glass: Clear
- Wired Safety

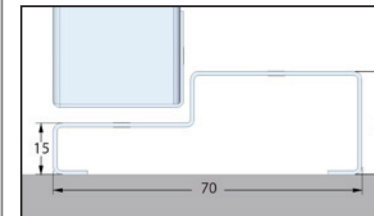
Thresholds



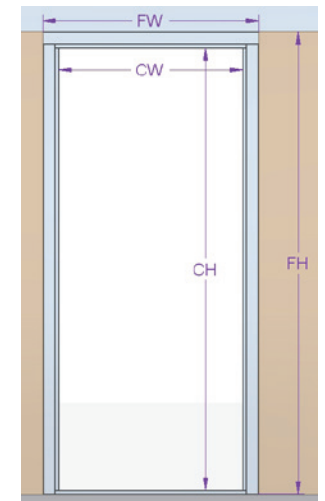
Standard open out 15mm low profile threshold



Standard inward opening threshold



Optional 30mm open out threshold (must be specified if required)



EMAIL FORM

SAVE FORM

RESET FORM